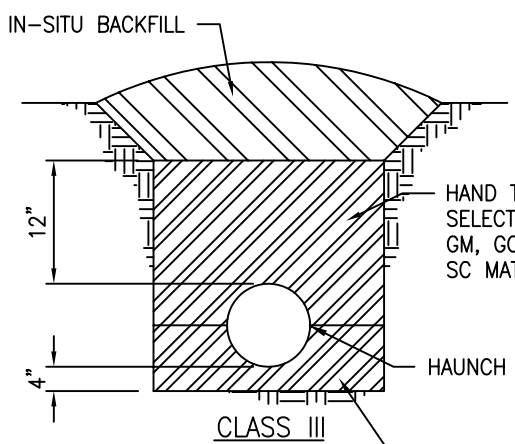


**CLASS I**  
 ANGULAR GRADED STONE OR GRAVEL 1/4" - 1 1/2" COMPACTED ≥85% STANDARD PROCTOR

HAND TAMPED SELECT BACKFILL GM, GC, SM, OR SC MATERIAL  
 COARSE GRAINED SAND-GRAVEL MIXTURES. GW, GP, SW, OR SP MATERIAL COMPACTED ≥85% STANDARD PROCTOR

**CLASS II**

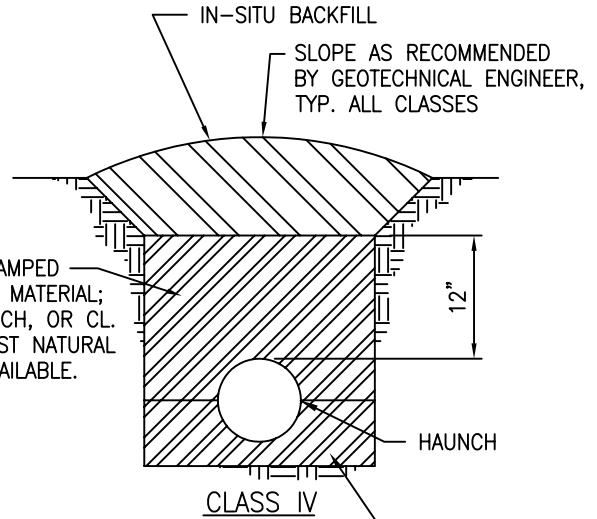
MINIMUM TRENCH WIDTH	
PIPE DIAMETER (ID.) (in)	TRENCH WIDTH (in)
4	18
6	18
8	24
10	26
12	30
15	30
18	32
21	34
24	36



**CLASS III**  
 COARSE GRAINED W/FINES. GM, GC, SM, OR SC MATERIAL COMPACTED TO ≥90% STANDARD PROCTOR

HAND TAMPED SELECT BACKFILL GM, GC, SM, OR SC MATERIAL

HAND TAMPED IN-SITU MATERIAL; MH, ML, CH, OR CL. USE BEST NATURAL SOIL AVAILABLE.



**CLASS IV**  
 INORGANIC SILTS-CLAYS MH, ML OR CL. COMPACTED TO >95% STANDARD PROCTOR

**NOTES:**

- FOR SDR-26 OR A-2026 SEWER PIPE, 0-9 FEET, USE CLASS IV BEDDING.
- FOR SDR-26 OR A-2026 SEWER PIPE, 10-15 FEET, USE CLASS III BEDDING. FOR DEPTHS GREATER THAN 15 FEET USE CLASS II BEDDING. UNLESS THE ACTUAL SOIL CONDITIONS MAY REQUIRE A HIGHER LEVEL OF BEDDING AS DETERMINED BY THE ENGINEER.
- USE CLASS IV BEDDING FOR C900-DR18 PRESSURE WATER PIPE. ACTUAL SOIL CONDITIONS MAY REQUIRE A HIGHER LEVEL OF BEDDING AS DETERMINED BY THE ENGINEER.
- IN ALL CONDITIONS, REGARDLESS OF PIPE TYPE, WHERE ROCK IS ENCOUNTERED IN THE TRENCH BOTTOM BEDDING SHALL BE CLASS II OR BETTER.
- IN ALL CONDITIONS, REGARDLESS OF PIPE TYPE, WHERE GROUNDWATER IS ENCOUNTERED IN THE TRENCH BEDDING SHALL BE CLASS I.
- FOR TRENCH DEPTHS EXCEEDING FIVE FEET, PROVIDE OSHA APPROVED SAFETY PLAN, SEALED BY TEXAS PROFESSIONAL ENGINEER.

03\_SSCS\_BEDDING\_DETAIL.Dwg



**CITY OF LUFKIN**  
 ENGINEERING DEPARTMENT  
 P.O. BOX 190  
 LUFKIN, TEXAS 75902-0190  
 PHONE: (936) 633-0414

**SANITARY SEWER STANDARDS**

**BEDDING DETAILS**

03

3-11-04