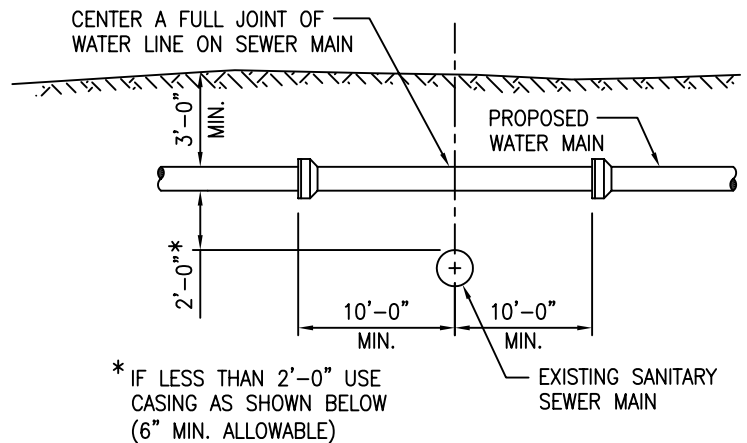


PARALLEL MAINS



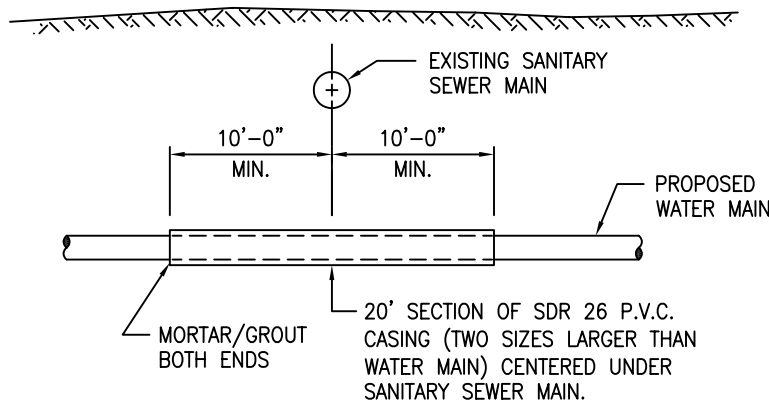
CROSSING MAINS

NOTES:

1. REQUIRED FOR WATER MAINS CROSSING BELOW, OR WITHIN 2 FEET ABOVE, SANITARY SEWER MAINS.

2. IN LIEU OF THIS PROCEDURE THIS 20' SECTION OF WATER- LINE CASING PIPE CAN BE DELETED AND THE SEWER LINE REPLACED WITH DUCTILE IRON PIPE WITH WATERTIGHT JOINTS TO MAINTAIN 10.0 FT. CLEARANCE EITHER SIDE OF WATERLINE.

3. CEMENT STABILIZE SAND BACKFILL INITIAL BACKFILL ZONE OF SEWER FOR 10.0 FT. EACH SIDE OF CROSSING. CENTER ONE JOINT OF WATER MAIN ON SEWER PIPE.



CASING DETAIL

NOTE:

1. FOR WATER LINE INSTALLATION, THE TEXAS ADMINISTRATIVE CODE, SECTION 290.44(e), SHALL BE STRICTLY ADHERED TO. FOR SEWER LINE INSTALLATION, THE TEXAS ADMINISTRATIVE CODE, SECTION 317.1 SHALL BE STRICTLY ADHERED TO.

2. WHEN NEW POTABLE WATER DISTRIBUTION LINES ARE CONSTRUCTED, THEY SHALL BE INSTALLED NO CLOSER THAN NINE FEET IN ALL DIRECTIONS TO WASTEWATER COLLECTION FACILITIES. IF THIS CANNOT BE ACHIEVED, THIS DETAIL SHALL BE STRICTLY ADHERED TO.

05A_SSCS_UTILITY_CLEARANCE_DETAIL.Dwg



CITY OF LUFKIN

ENGINEERING DEPARTMENT
P.O. BOX 190
LUFKIN, TEXAS 75902-0190
PHONE: (936) 633-0414

SANITARY SEWER STANDARDS

UTILITY CLEARANCE DETAIL

05A

10-13-03