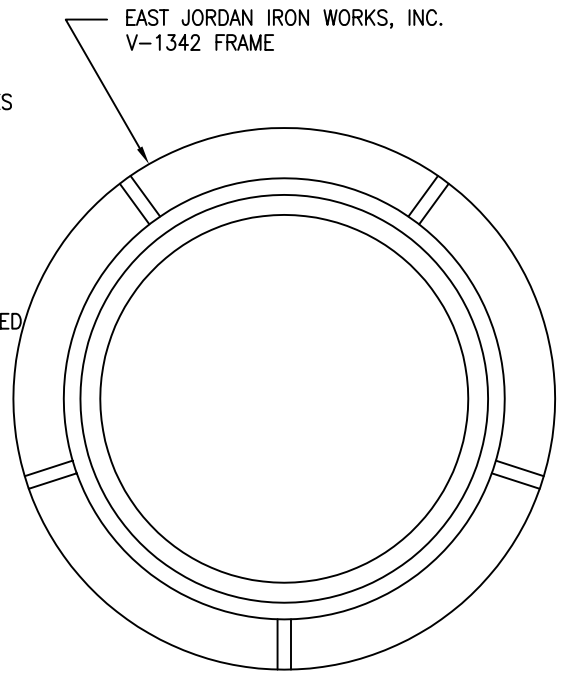
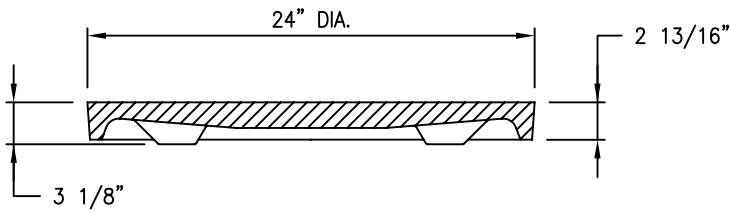


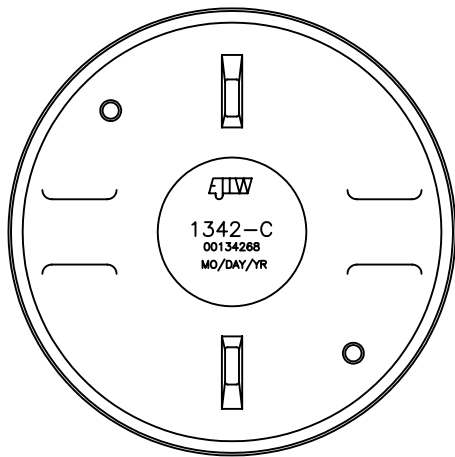
COVER PLAN



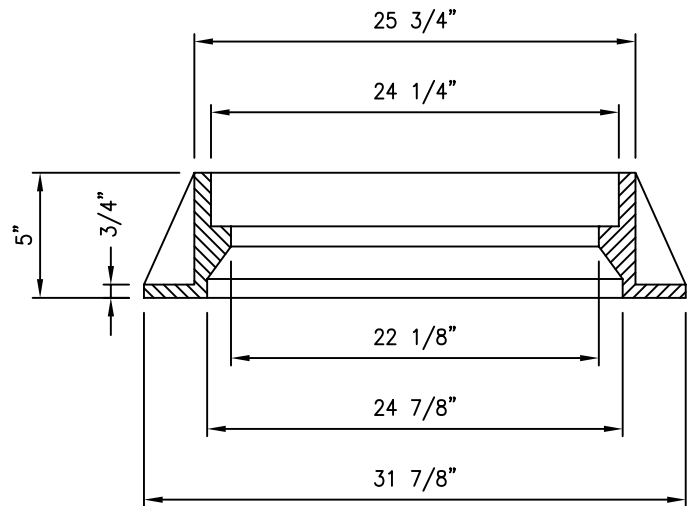
FRAME PLAN



COVER SECTION



BOTTOM VIEW OF COVER



1342 FRAME SECTION

01_STORM_SEWER_COVER_1342.Dwg



CITY OF LUFKIN
 ENGINEERING DEPARTMENT
 P.O. BOX 190
 LUFKIN, TEXAS 75902-0190
 PHONE: (936) 633-0414

STORM SEWER STANDARDS

STORM SEWER FRAME AND COVER

01

10-13-03